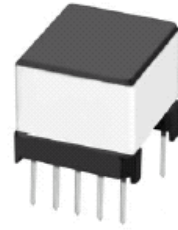
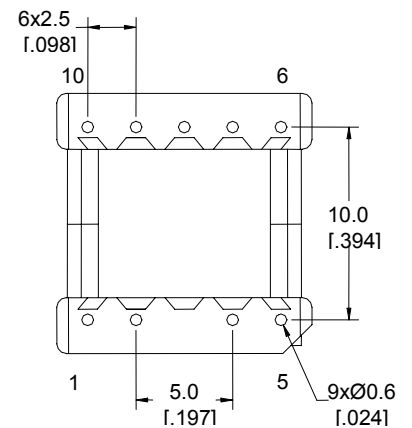
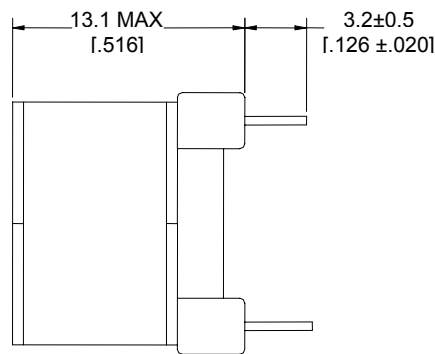
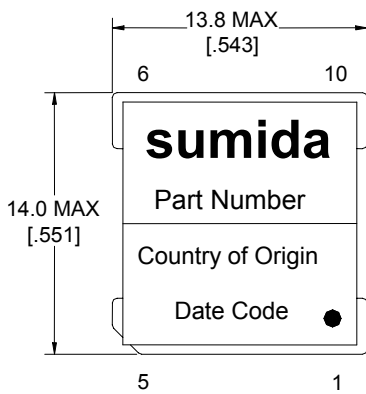
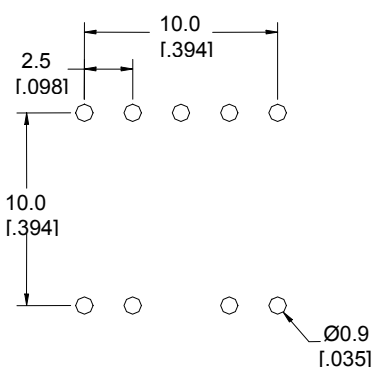
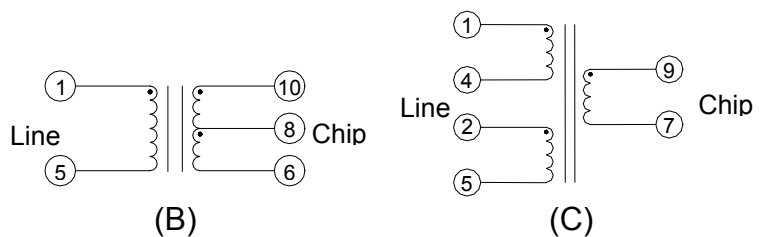
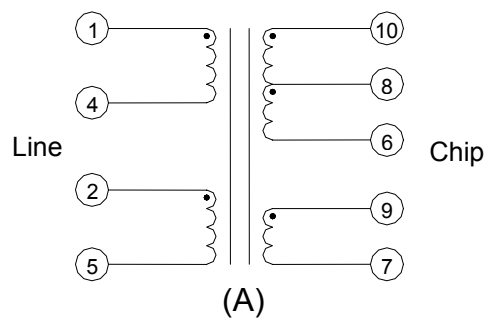


Type: EP1311
◆ Product Description

- 14.0×13.8 mm Max. (L×W), 13.1 mm Max. Height.

◆ Feature

- xDSL line transformer.
- Ideally used in ADSL customer premises equipment and splitter.
- Approved by TI, Silicon Labs and Conexant.
- RoHS Compliance.


◆ Dimensions (mm)

◆ Land Pattern (mm)

◆ Schematics (Bottom)


Type: EP1311
◆ Specification

Part No.	Inductance (nom. μ H)	Turns ratio	THD (dB) (TYP.)	Insulation	Application
T10100	440	2:1		Supplementary	ADSL CPE
T10108	1500	2:1	-84.0 (30k,5.3V)	Supplementary	ADSL CPE
T10114	3000	4.25:2.5:1	-80.0 (30k,4V)	Supplementary	ADSL CPE
T10120	1500	2:1	-84.0 (30k,5.3V)	Supplementary	ADSL CPE
T10121	2000	2:1	-55.0 (1k,1V)	Supplementary	ADSL CPE
T10122	409	2:1	-84 (30k,2.22V)	Supplementary	ADSL CPE
T10127	750	4.3:1/2.5:1	-80.0 (30k,4V)	Supplementary	ADSL CPE
T10136	100	2:1	-92.9 (100k,2.25V)	Supplementary	ADSL CPE
T10160	750	4.25:4.25:1	-91.5 (30k,4V)	Supplementary	ADSL CPE
T10190	3000	4.25:4.25:1	-91.0 (30k,4V)	Supplementary	ADSL CPE
T10195	3000	4.2:1	-80.0 (30k,4V)	Supplementary	ADSL CPE
T10196	750	0.4:1	-86.4 (30k,1V)	Supplementary	ADSL CPE
T52102	1300000	1:1	-75.0 (600,-10 dB)	Supplementary	MODEM